

D

C

B

A



PRODUCT:				TRM885/TRM835/TRM811		<b>PRECOR</b> <sup>®</sup>		DWG. NO.		SUBREV
DRWN BY	5/15/14	KAW	SIZE	PAGE	303155-101			A07		
CS	5/14/14	BG	A	1 OF 7						

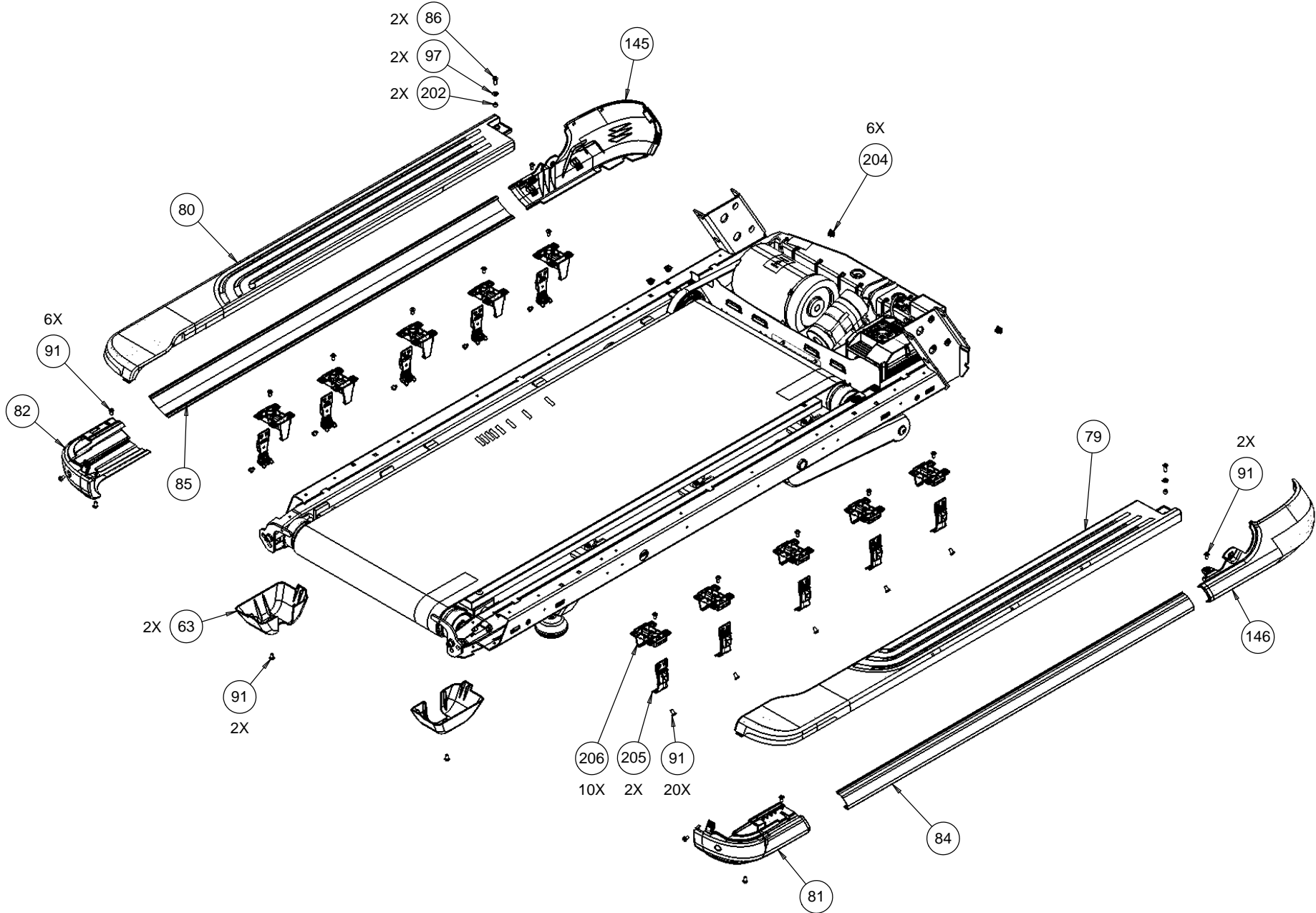
DRAWING TEMPLATE REV. B

D

C

B

A

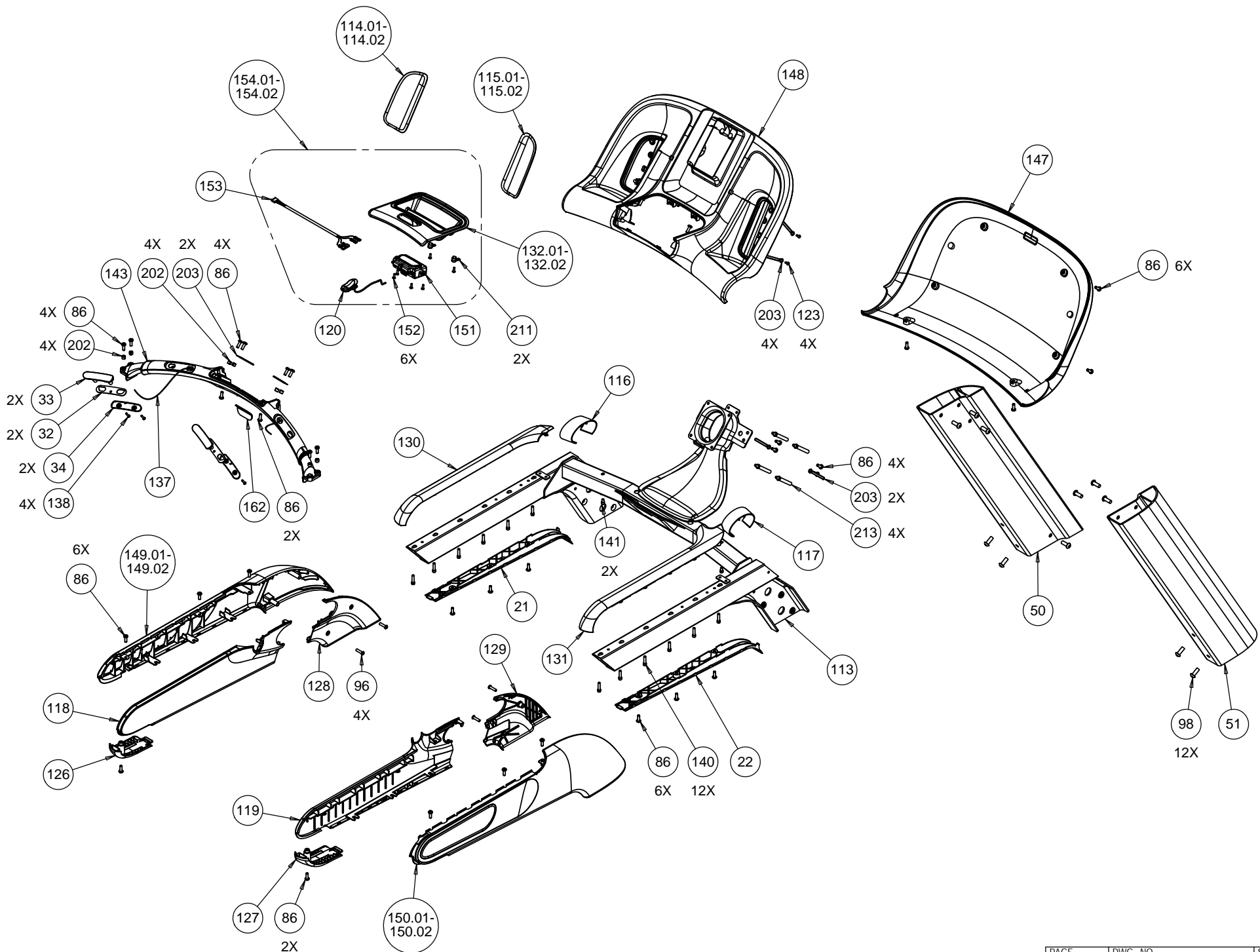


D

C

B

A

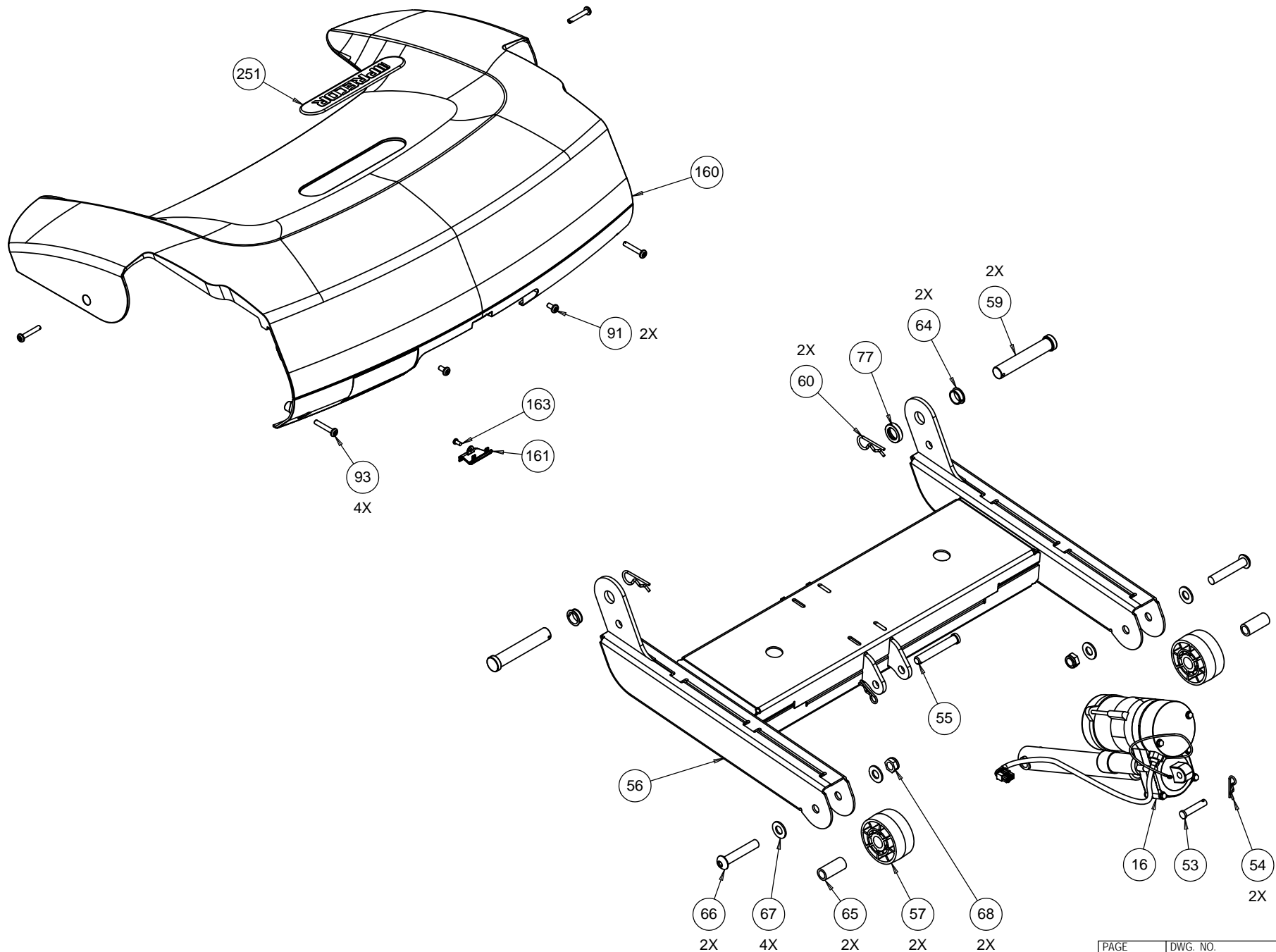


4

3

2

1



D

C

B

A

4

3

2

1

2X 2X 2X

136 95 207

20

88

4X 133

4X 134

2X 75

139

158

159

89

4X

2X

4X

3

2

2X 14

2X 13

91 2X

15

19

253

86 6X

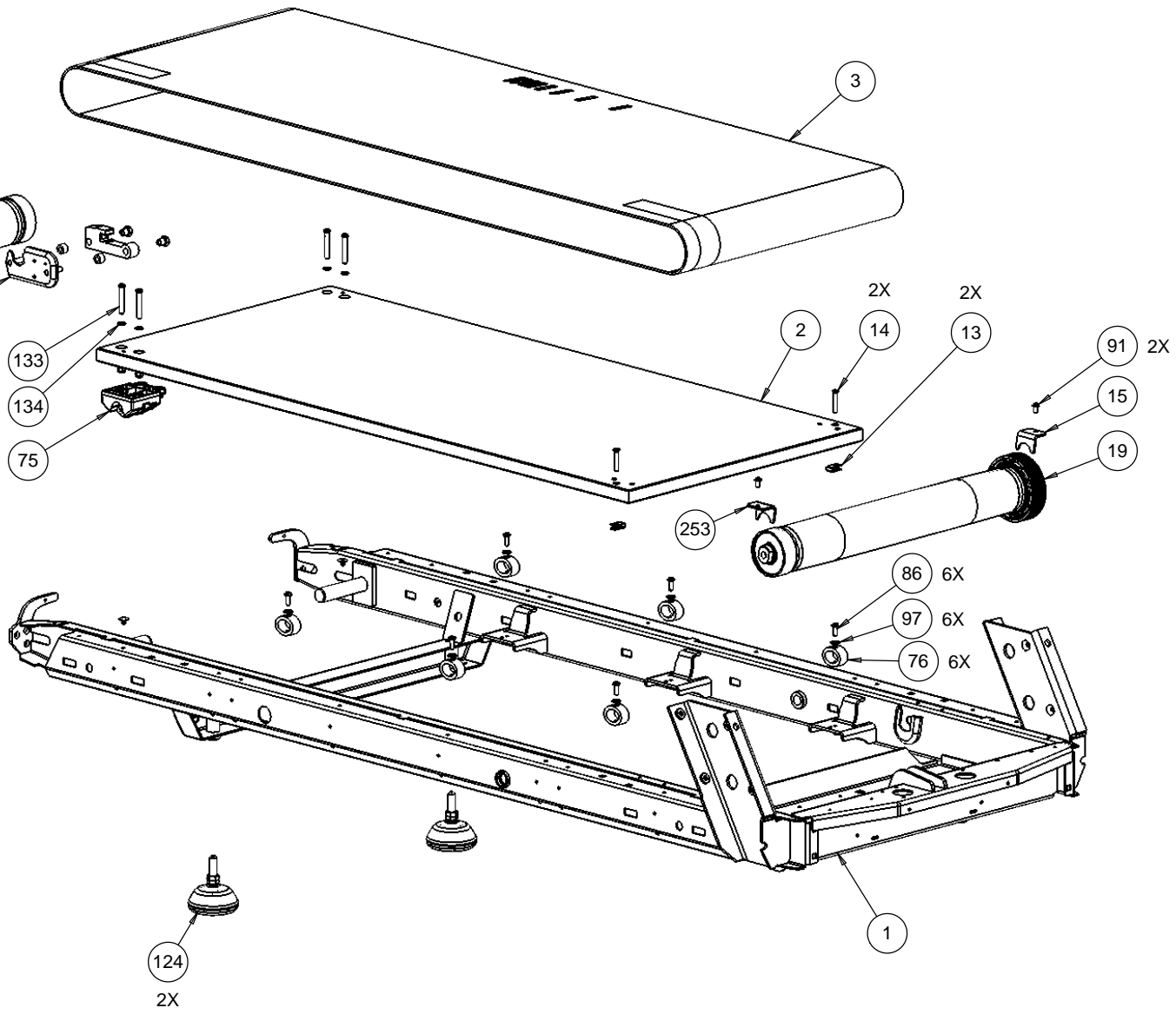
97 6X

76 6X

1

124

2X

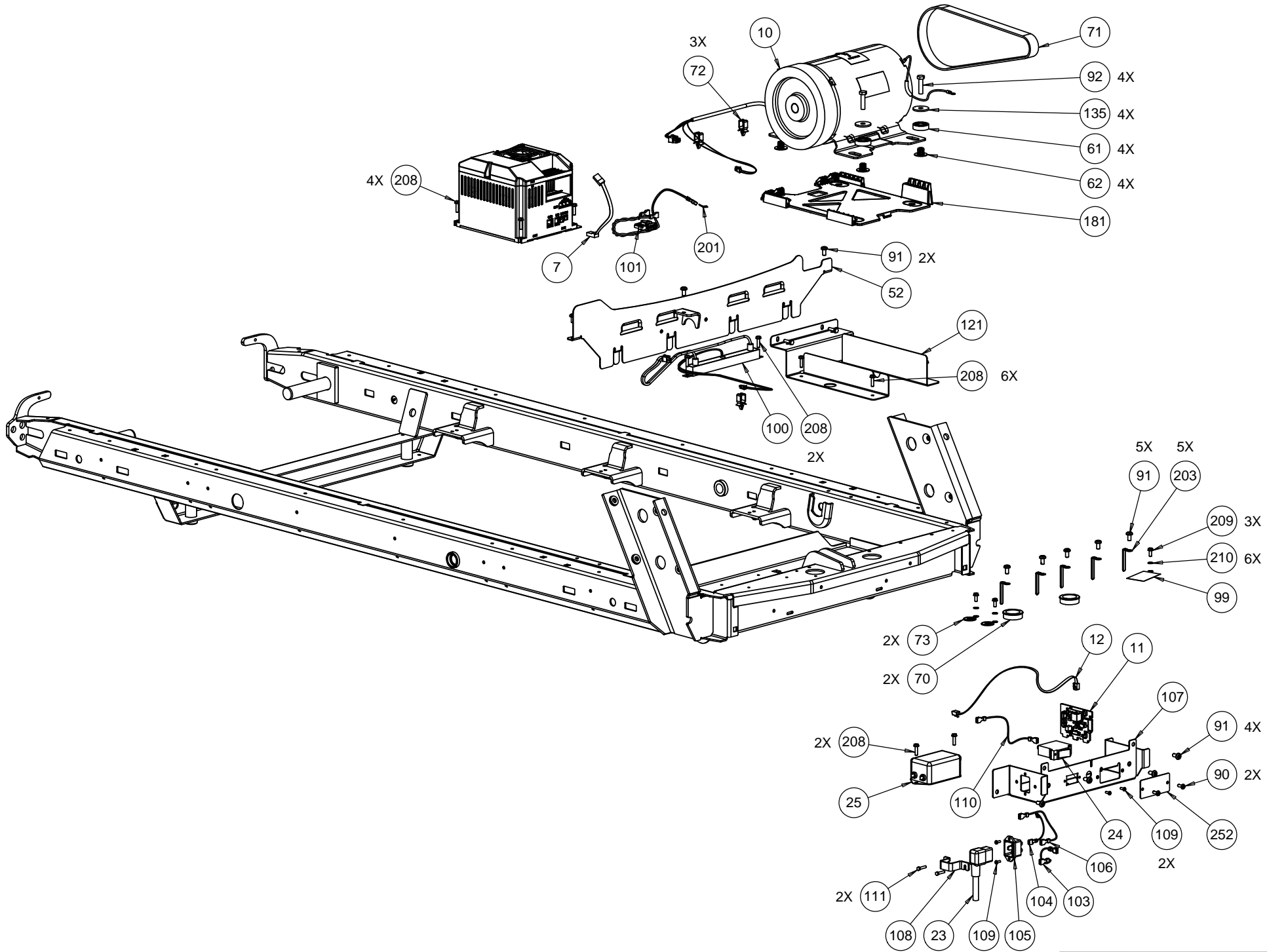


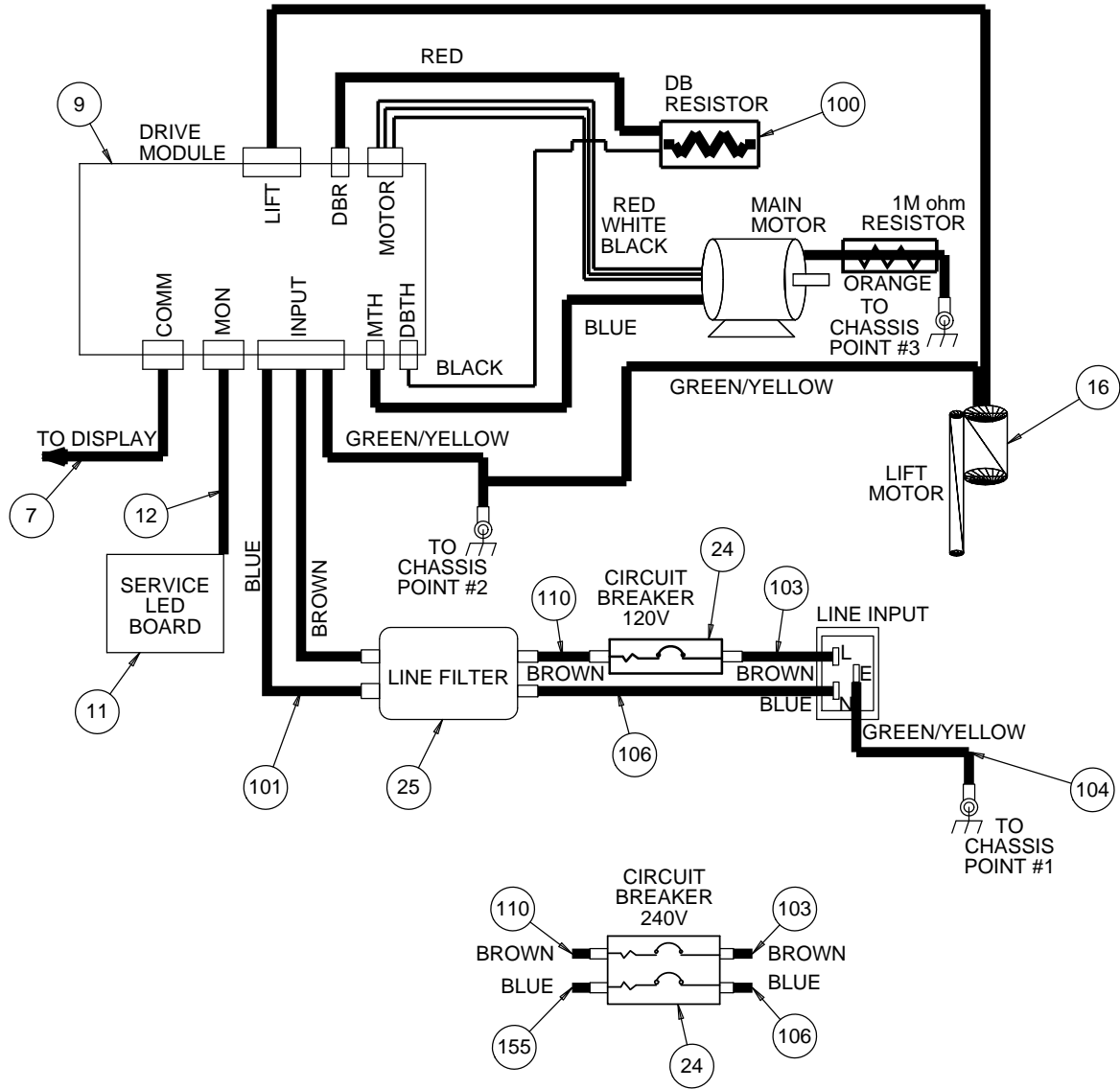
D

C

B

A





**TRM800-14,\_BASE,\_120V,PFP\_(AD56)**

<b>Bubble #</b>	<b>Part Number</b>	<b>Description</b>
2	PPP00000058097102	DECK W/SHIPPER, TRM800-14
3	PPP000000302449101	RUNNING BELT
7	PPP000000044905108	ASSY,CBL,MOD,8P8C,1-1,SILVER,108"
9	PPP000000303785105	ASSY,ADT-DRIVE,COMMERCIAL 120V
10	PPP000000058099101	KIT, BOXED, MOTOR DRIVE,COMMERCIAL
11	PPP000000302497101	ASSY, SERVICE LED BOARD
12	PPP000000041605018	ASSY,CBL,MOD,6P4C,1-1,SILVER,18"
13	PPP000000013277101	CLIP, U TYPE, SPRING STEEL, KEYHOL
14	PPP0000MACTN025163	SCREW, FLAT HD SOCKET CAP, 1/4-20 X
15	PPP000000302495101	ROLLER KEEPER, LH
16	PPP000000302625103	MOTOR, LIFT ACTUATOR, 120V, 282S PO
19	PPP000000302420106	ASSEMBLY, ROLLER, DRIVE
20	PPP000000302421105	ASSEMBLY, ROLLER, TAKE UP
21	PPP000000302517101	BOTTOM COVER, SIDE BAR, LEFT
22	PPP000000302517102	BOTTOM COVER, SIDE BAR, RIGHT
23	PPP000000047429144	PWR CORD,125VAC,20A,NEMA 5-20RA45/I
24	PPP000000011462143	CKT BRKR,250V,MAGNETIC,ROCKER,1 PO
25	PPP000000011350101	FILTER, POWER LINE, #10 PANEL MOUNT
30	PPP000000302417101	ASSEMBLY, UPPER HHR CONTACT WITH C
31	PPP000000302414101	CONTACT, HHR LOWER, STAINLESS
32	PPP000000302418101	GASKET, HHR CONTACT
50	PPP000000304082103	ASSY, TARGA, LEFT, PF PURPLE & BRAN
51	PPP000000304082104	ASSY, TARGA, RIGHT, PF PURPLE & BRA
52	PPP000000302508101	DUST GUARD
53	PPP000000010401106	PIN,CLEVIS, 3/8 X 1.75, ZINC
54	PPP000000010400103	PIN, HITCH, .093 DIA, ZINC, #203
55	PPP000000045669107	PIN, LIFT PIVOT, 3.34, MUSHROOM HEA
56	PPP000000302468101	WELDMENT, LIFT PLATFORM, PAINTED
57	PPP000000044270101	WHEEL, LIFT
59	PPP000000302485101	PIN, LIFT PIVOT
60	PPP000000010400106	PIN, HITCH, .125 DIA, ZINC, #216
61	PPP000000302616103	WASHER, TOP HAT, MOTOR
62	PPP000000302617102	WASHER, BOTTOM, MOTOR



TRM800-14,\_BASE,\_120V,PFP\_(AD56)

Bubble #	Part Number	Description
63	PPP000000302516101	PLASTIC, FOOT COVER
64	PPP000000013221101	BUSHING,SNAP-IN,THOMSON NYLINER,728
65	PPP000000036192101	BUSHING, SPANNER
66	PPP00000TATN050275	SCREW,BHCS,1/2-13 X 2-3/4,BLK SHRPR
67	PPP00000WBZN050008	WASHER, FLAT,1/2,.086 BLK CVS
68	PPP00000KAKN050031	LOCKNUT,HALF,1/2-13,BLK ZN
70	PPP000000010178112	BUSHING, SNAP
71	PPP000000010214101	BELT, DRIVE, 280J10 POLY V, TEM
72	PPP000000011278101	CABLE CLAMP,INSERT
73	PPP000000033984101	LABEL, SAFETY, GROUND SYMBOL
75	PPP0000000303380101	ASSY, PIVOT, REAR DECK
76	PPP0000000302482101	CUSHION, GFX
77	PPP0000000302475101	SPACER, LIFT PLATFORM
79	PPP0000000302540103	ASSEMBLY, TRIM LANDING AND PAC BLUE
80	PPP0000000302540104	ASSEMBLY, TRIM LANDING AND PAC BLUE
81	PPP0000000302589102	ASSEMBLY, END CAP & TRIM KEEPER, RI
82	PPP0000000302589101	ASSEMBLY, END CAP & TRIM KEEPER, LE
84	PPP0000000304085104	EXTRUSION, SIDE TRIM, RH, PF PURPLE
85	PPP0000000304085103	EXTRUSION, SIDE TRIM, LH, PF PURPLE
86	PPP0000PANTN025075	SCREW, SELF TAPPING, 1/4-20 X 0.75,
88	PPP0000000302481101	PLATE, REAR ROLLER ADJUSTMENT (INNE
89	PPP0000000302481102	PLATE, REAR ROLLER ADJUSTMENT (INNE
90	PPP0000PANTN019050	SCREW,SELF-TAP,TRI,PAN HD PHIL,10-2
91	PPP0000PANTN025050	SCREW,S/T,#1/4-20X1/2,PANHD,PHIL,TR
91	PPP0000PANTN025075	SCREW, SELF TAPPING, 1/4-20 X 0.75,
92	PPP00000HCCN031125	SCREW,HEX,GR 5,5/16-18X1.25,ZN
93	PPP0000PANTN025150	SCREW, SELF TAPPING, 1/4-20 X 1.50,
95	PPP0000WAVCN038015	WASHER, FLAT, 3/8 X .875 X .150
96	PPP00000TAMN025100	SCREW,BTHD,1/4-20X1,BLK ZN,(MECH PL
97	PPP00000WMNN039006	WASHER, AN 960C616L, ID=.390,
97	PPP00000WNCN026006	WASHER,FLT,1/4X.625X.063,ZN
98	PPP00000TAMN038100	SCREW, BTHD, 3/8-16X1, ZN,(MECH PLT
99	PPP0000000302542101	LABEL, WARNING, BLEED DOWN CABLE AT

**TRM800-14,\_BASE,\_120V,PFP\_(AD56)**

<b>Bubble #</b>	<b>Part Number</b>	<b>Description</b>
100	PPP000000303056101	ASSY, CABLE, MINI FIT TO RESISTOR/T
101	PPP000000303042010	CABLE, FILTER TO DRIVE MODULE,10"
102	PPP000000037436101	LABEL, CHASIS NEUTRAL
103	PPP000000040193005	ASSY,CBL,1C,12AWG,250X032 QD RECP(X
104	PPP000000040195008	CBL,1C,14AWG,,#10 RING,250X032 QD R
105	PPP000000045381101	IEC 16/20A POWER CORD INLET
106	PPP000000302226009	ASSY,CBL,1C,12AWG,250X032 QD RECP(X
107	PPP000000302466101	BRACKET, POWER ENTRY
108	PPP000000302479101	BRACKET, POWER ENTRY CABLE CLAMP
109	PPP00000MGCN013038	SCREW,MCH,6-32X3/8,PANHD,PHIL,
110	PPP000000040193009	ASSY,CBL,1C,12AWG,250X032 QD RECP(X
111	PPP00000HNCN016075	HHCS,MCH,#8-32 X .75,STL,CLR ZN
113	PPP000000302430101	WELDMENT, DASH STRUCTURE, POWDER CO
114.01	PPP000000302439101	BUCKET, DASH, BASIC TRIM OPTION, LH
114.02	PPP000000302441101	BUCKET, DASH, OVERMOLDED, PREMIUM T
115.01	PPP000000302439102	BUCKET, DASH, BASIC TRIM OPTION, RH
115.02	PPP000000302441102	BUCKET, DASH, OVERMOLDED, PREMIUM T
116	PPP000000303789101	COVER, ELLIPTICAL DASH TO HANDRAIL
117	PPP000000303789102	COVER, ELLIPTICAL DASH TO HANDRAIL
118	PPP000000302509101	INSIDE COVER, SIDEBAR, LEFT
119	PPP000000302509102	INSIDE COVER, SIDEBAR, RIGHT
120	PPP000000044021104	CLIP ASSEMBLY
121	PPP000000302622101	SHIELD COVER, BRAKE RESISTOR
123	PPP00000PMTN016050	SCREW,TCS,#8X1/2,PHIL,BLK SHARPERIZ
123	PPP00000PARTN016050	SCREW,SELF-TAP,TRI,PAN HD PHIL,#8 X
124	PPP000000302579102	FOOT, REAR LEVELING
126	PPP000000302511101	LED BLUE ACCENT, HANDRAIL, LEFT
127	PPP000000302511102	LED BLUE ACCENT, HANDRAIL, RIGHT
128	PPP000000302510101	ACCESS PANEL, SIDE BAR, LEFT
129	PPP000000302510102	ACCESS PANEL, SIDE BAR, RIGHT
130	PPP000000303223101	TOP HANDCOVER, ASSEMBLY, LEFT
131	PPP000000303223102	TOP HANDCOVER, ASSEMBLY, RIGHT
132.01	PPP000000302489101	TRAY, DASH, PLASTIC

**TRM800-14,\_BASE,\_120V,PFP\_(AD56)**

<b>Bubble #</b>	<b>Part Number</b>	<b>Description</b>
132.02	PPP00000058106101	KIT, TRAY, DASH, PREMIUM, OVERMOLDE
133	PPP00000YCTN031200	SCREW, LOW PROFILE SHCS, ALLOY STEE
134	PPP00000WRTN031009	WASHER,FLAT,NARROW,5/16,GR8 STL,BLA
135	PPP0000WABCN031011	WASHER,FENDER,EXTRA THICK,HARDENED
136	PPP000000013245102	BOLT, BELT TENSION, GRADE 8
137	PPP000000303187052	ASSY, CABLE, CHR PCA TO GRIP, JACKE
138	PPP00000TCNN016075	SCREW, BTHD, 8-32X.75,SS
139	PPP000000013246101	NUT, BARREL
140	PPP00000CATN025100	SCREW,SKHD,1/4-20X1,BLK SHARPERIZED
141	PPP00000CATN025038	SCREW,SKHD,1/4-20X3/8,BLK SHRPRZD
143	PPP000000302409102	HHHR BAR, MOLDED
145	PPP000000302506103	ASSY, CORNER COVER, LEFT
146	PPP000000302506104	ASSY, CORNER COVER, RIGHT
147	PPP000000302411101	COVER, DASH BACK
148	PPP000000302410101	COVER, DASH FRONT
149.01	PPP000000302512101	OUTER COVER, SIDE BAR, BASIC, LEFT
149.02	PPP000000302512103	OUTER COVER, SIDE BAR, PREMIUM, LEF
150.01	PPP000000302512102	OUTER COVER, SIDE BAR, BASIC, RIGHT
150.02	PPP000000302512104	OUTER COVER, SIDE BAR, PREMIUM, RIG
151	PPP000000302525101	ASSY, EMERGENCY STOP SWITCH
152	PPP00000MGCN016050	SCREW,MCH,8-32X1/2,PANHD,PHIL,
153	PPP000000303049030	ASSY,CABLE W/JACKET,E-STOP PLUS SOF
154.01	PPP000000302492101	ASSEMBLY, TRAY AND STOP SWITCH, BAS
154.02	PPP000000302491101	ASSEMBLY, TRAY AND STOP SWITCH, PRE
158	PPP000000302487101	EXTRUSION, REAR ROLLER ADJUSTMENT (
159	PPP000000302493101	SPACER, REAR ROLLER ADJUSTMENT
160	PPP000000302498101	ASSEMBLY, HOOD
161	PPP000000303157101	INDICATOR, STATUS, LIGHT PIPE
162	PPP000000302446101	DOCK, STOP SWITCH LANYARD CLIP
163	PPP0000PARCN019038	SCREW,SELF-TAP,TRI,PAN HD PHIL,#10
181	PPP000000302614101	ISOLATOR, PLASTIC MOTOR
200	PPP000000303304102	HARDWARE KIT, TRM800-14
201	PPP000000010622102	CONN,QK DISC,TAB,250X032,45DEG,0.19

**TRM800-14,\_BASE,\_120V,PFP\_(AD56)**

<b>Bubble #</b>	<b>Part Number</b>	<b>Description</b>
202	PPP000000013216101	HARDWARE, COMPRESSION LIMITER 6MM X
203	PPP000000013217101	WIRE CLAMP, .25 INCH FASTENER, META
204	PPP000000013222101	SQUARE PLASTI-GROMMET, 1/4 IN FSTNR
205	PPP0000000302440101	ANCHOR, SIDE TRIM
206	PPP0000000302520101	TRIM LANDING, ANCHOR, MOUNTING BLOC
207	PPP0000KBPCN038034	NUT,HEX,3/8-24,STL, GRADE 8, CLEAR
208	PPP0000PBDCA019075	SCREW,SELF-TAP,TRI,WASHER HD HEX,10
209	PPP0000PBJCG019050	SCREW,SELF-TAP,TYPF,WASHER HD HEX/S
210	PPP0000WAMCN019002	WASHER, LOCK, EXT TOOTH, #10
211	PPP0000000302488101	CLIP, TRAY MOUNTING
213	PPP000000013220101	CUSTOM SCREW, .25-20 X .375 X 3.5 S
251	PPP0000000300678101	LABEL, HOOD ALUMINUM, NEW LOGO
252	PPP0000000303538101	BLANKING PLATE, INTERFACE
253	PPP0000000302495102	ROLLER KEEPER, RH
254	PPP0000000302532103	LABEL, REGULATORY, 120V
300	PPP000000058114101	KIT, TRM 800 MOTOR THERMAL SWITCH C
301	PPP000000051117103	CS KIT - TRM800 BELT TRACKER
302	PPP0000000304461101	ASSY,FAN,24DC,1.38" LEADS,W/CONNECT
970	PPP000000058211101	KIT, TRM800-14, ROLLER PROJECT
999	PPP0000000303224114	LITERATURE KIT, TREAD,TRM14, EN-US

Bubble #	TRM800-14,_BASE,_120V,PFP_(AD56) Part Number	Description
----------	---	-------------

Bubble #	TRM800-14,_BASE,_120V,PFP_(AD56) Part Number	Description
----------	---	-------------

Bubble #	TRM800-14,_BASE,_120V,PFP_(AD56) Part Number	Description
----------	---	-------------

Bubble #	TRM800-14,_BASE,_120V,PFP_(AD56) Part Number	Description
----------	---	-------------



Bubble #	TRM800-14,_BASE,_120V,PFP_(AD56) Part Number	Description
----------	---	-------------

Bubble #	TRM800-14,_BASE,_120V,PFP_(AD56) Part Number	Description
----------	---	-------------

Bubble #	TRM800-14,_BASE,_120V,PFP_(AD56) Part Number	Description
----------	---	-------------

Bubble #	TRM800-14,_BASE,_120V,PFP_(AD56) Part Number	Description
----------	---	-------------

Bubble #	TRM800-14,_BASE,_120V,PFP_(AD56) Part Number	Description
----------	---	-------------

Bubble #	TRM800-14,_BASE,_120V,PFP_(AD56) Part Number	Description
----------	---	-------------

Bubble #	TRM800-14,_BASE,_120V,PFP_(AD56) Part Number	Description
----------	---	-------------

Bubble #	TRM800-14,_BASE,_120V,PFP_(AD56) Part Number	Description
----------	---	-------------



Bubble #	TRM800-14,_BASE,_120V,PFP_(AD56) Part Number	Description
----------	---	-------------

Bubble #	TRM800-14,_BASE,_120V,PFP_(AD56) Part Number	Description
----------	---	-------------

Bubble #	TRM800-14,_BASE,_120V,PFP_(AD56) Part Number	Description
----------	---	-------------

Bubble #	TRM800-14,_BASE,_120V,PFP_(AD56) Part Number	Description
----------	---	-------------

Bubble #	TRM800-14,_BASE,_120V,PFP_(AD56) Part Number	Description
----------	---	-------------

Bubble #	TRM800-14,_BASE,_120V,PFP_(AD56) Part Number	Description
----------	---	-------------

Bubble #	TRM800-14,_BASE,_120V,PFP_(AD56) Part Number	Description
----------	---	-------------

Bubble #	TRM800-14,_BASE,_120V,PFP_(AD56) Part Number	Description
----------	---	-------------



Bubble #	TRM800-14,_BASE,_120V,PFP_(AD56) Part Number	Description
----------	---	-------------

Bubble #	TRM800-14,_BASE,_120V,PFP_(AD56) Part Number	Description
----------	---	-------------

Bubble #	TRM800-14,_BASE,_120V,PFP_(AD56) Part Number	Description
----------	---	-------------

Bubble #	TRM800-14,_BASE,_120V,PFP_(AD56) Part Number	Description
----------	---	-------------

Bubble #	TRM800-14,_BASE,_120V,PFP_(AD56) Part Number	Description
----------	---	-------------

Bubble #	TRM800-14,_BASE,_120V,PFP_(AD56) Part Number	Description
----------	---	-------------











































































































































